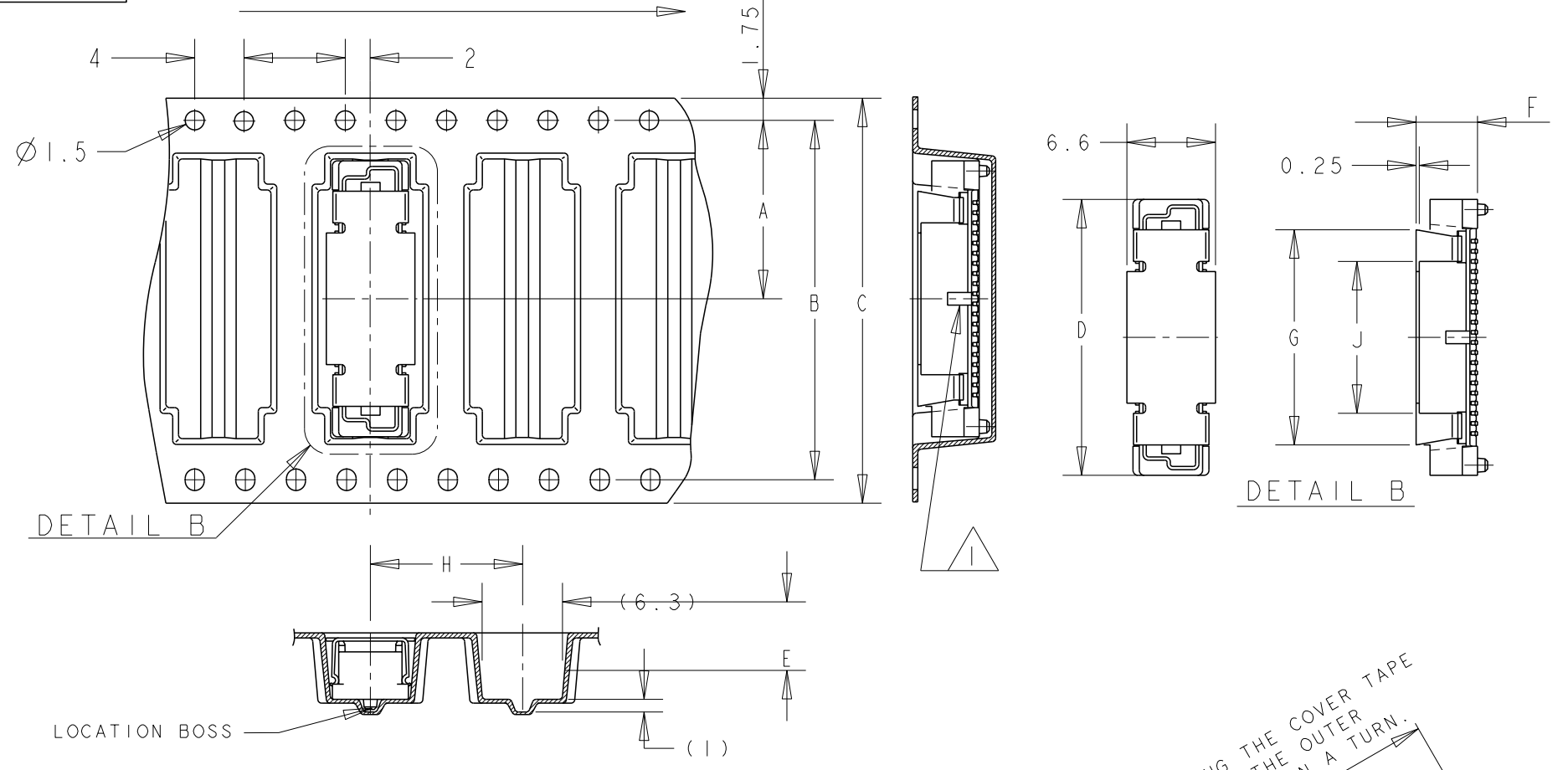


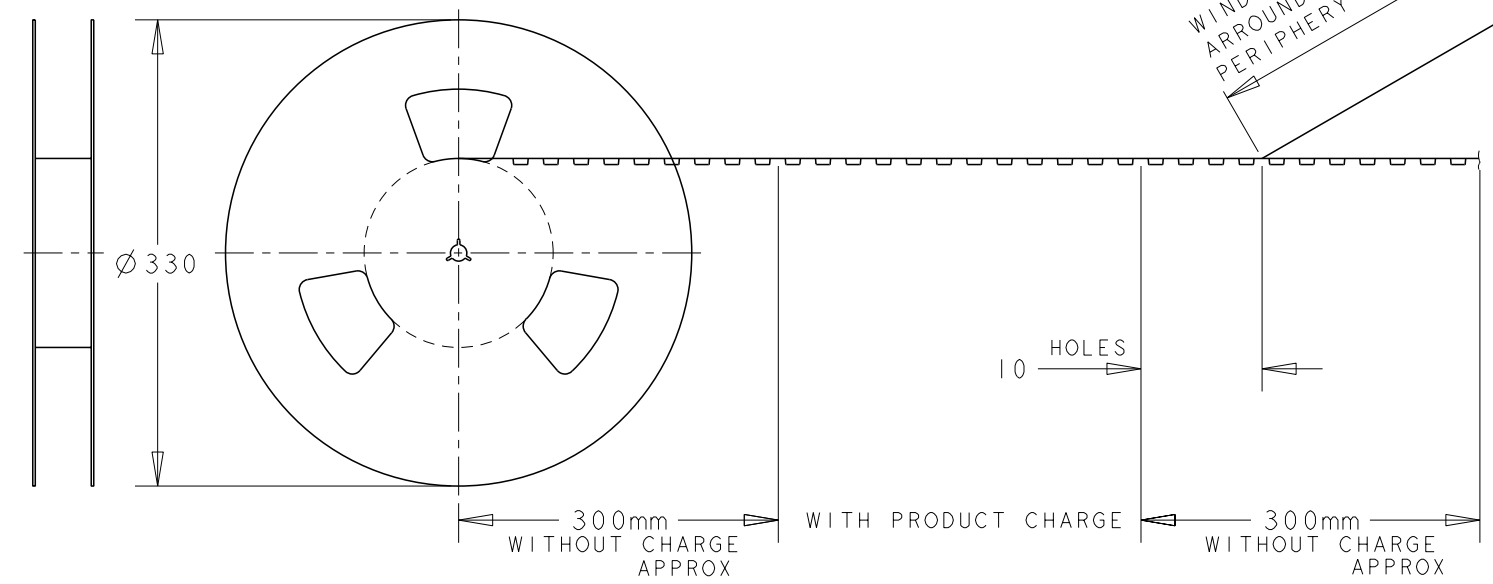
HALOGEN FREE

- Notes:
- 1 CUTOUT FEATURE AVAILABLE ONLY ON 5H ASSY P/N -1 (40P) AND -2 (60P).
  - 2 0.00038 MIN GOLD PLATING (15u INCHES GOLD PLATING)
  - 3 CONNECTOR DIMENSIONS REFERENCED FROM DRAWING WHICH CONN. P/Ns BASED

DIRECTION OFF TOP OF REEL



REMARKS	QTY	HEIGHT TYPE	J	H	G	F	E	D	C	B	A	POS	CONN. P/N REF. ONLY	SALEABLE PART NO.	0.00076 MIN GOLD PLATING (30u INCHES GOLD PLATING)	
															5H	7H
															450	16
															700	7H 12
															550	16
															800	6H 12
															650	16
															900	5H 12
															450	7H 12
															400	16
															600	8H 12
															450	16
															700	7H 12
															500	7H 16
															550	16
															800	6H 12
															650	16
															900	5H 12



THIS DRAWING IS A CONTROLLED DOCUMENT.

DWN: FLORENCE TAN 30AUG04  
 CHK: ERIC TNG  
 APVD: SE LEONG  
 PRODUCT SPEC: 108-5390  
 APPLICATION SPEC: 114-5254  
 WEIGHT: -

MATERIAL: - FINISH: -

TE Connectivity

NAME: PLUG ASSEMBLY (0.5 BOSS LENGTH) FOR FH 0.8 B-T-B CONN. ON TAPING

SIZE: A3 CAGE CODE: 00779 DRAWING NO: C-5177986 RESTRICTED TO: -

CUSTOMER DRAWING SCALE: 2:1 SHEET: 1 OF 1 REV: E4